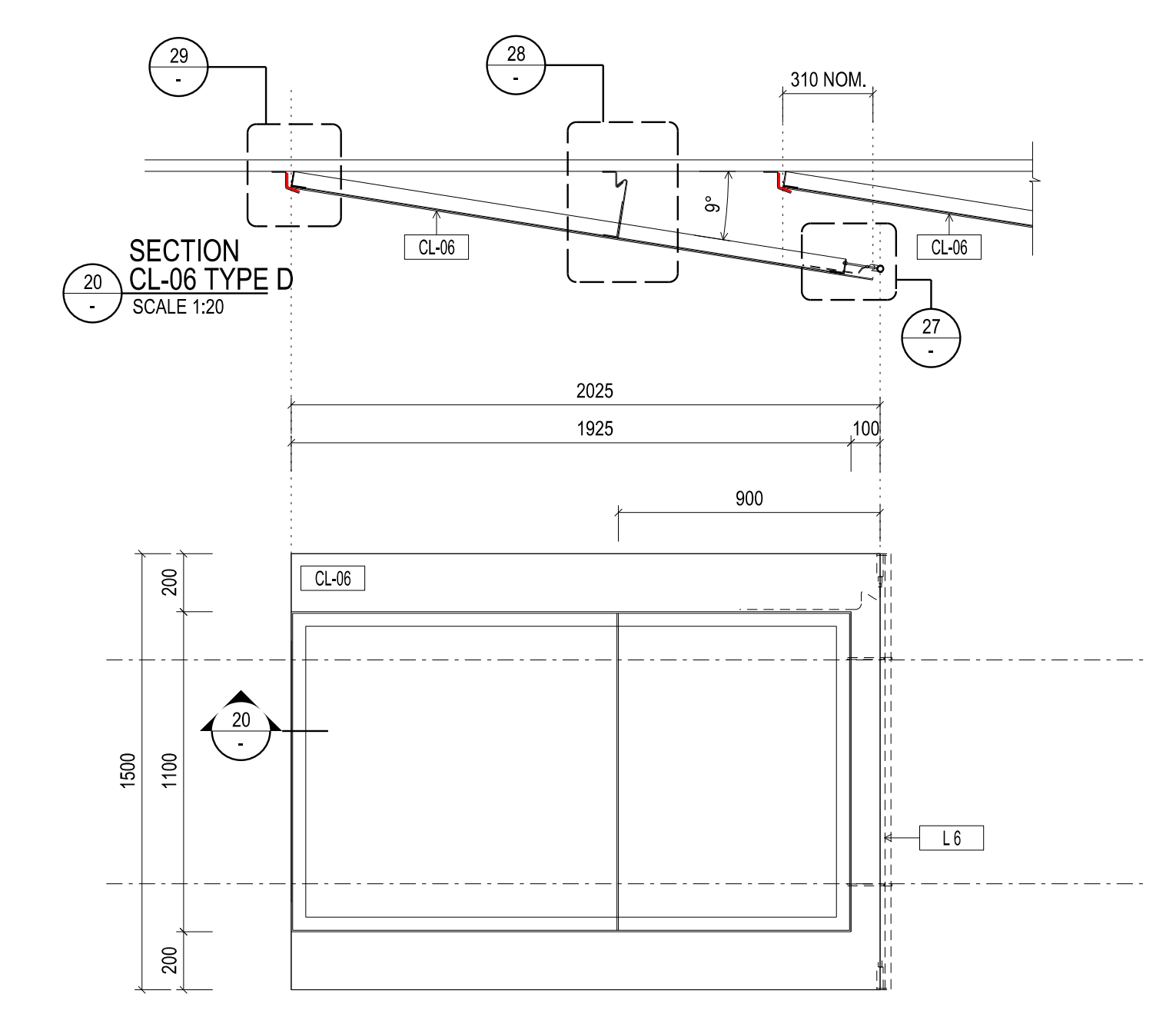
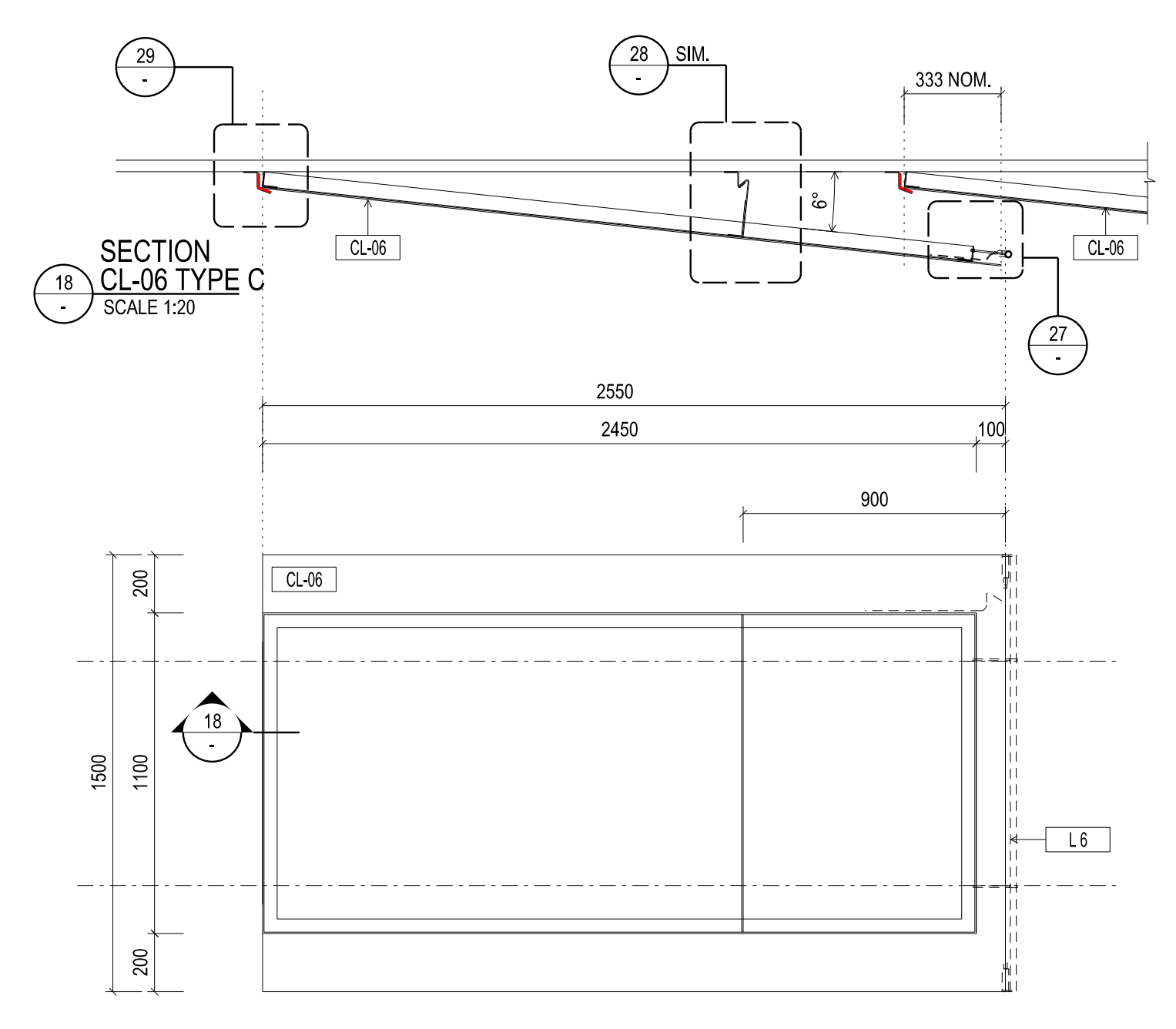
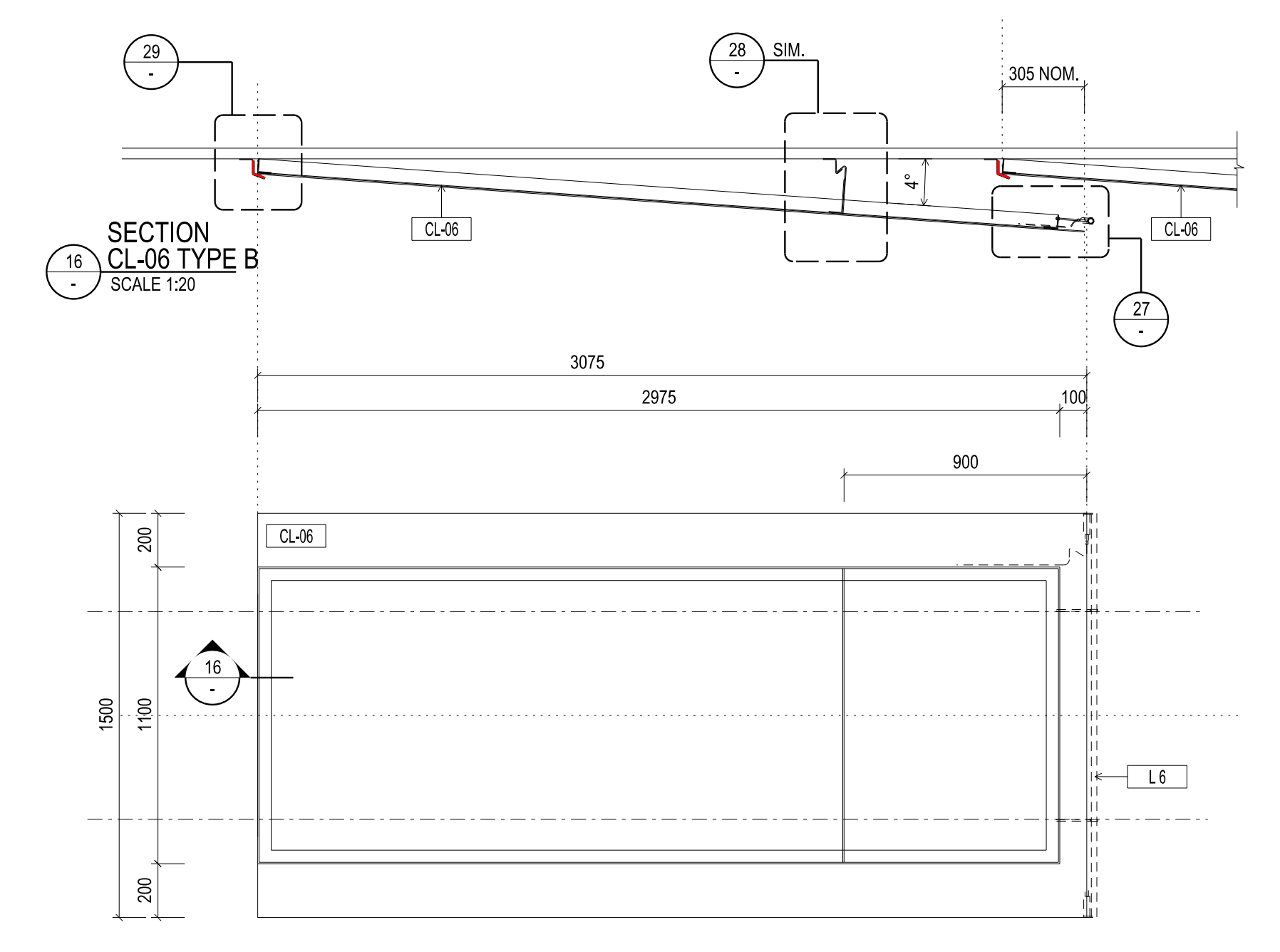
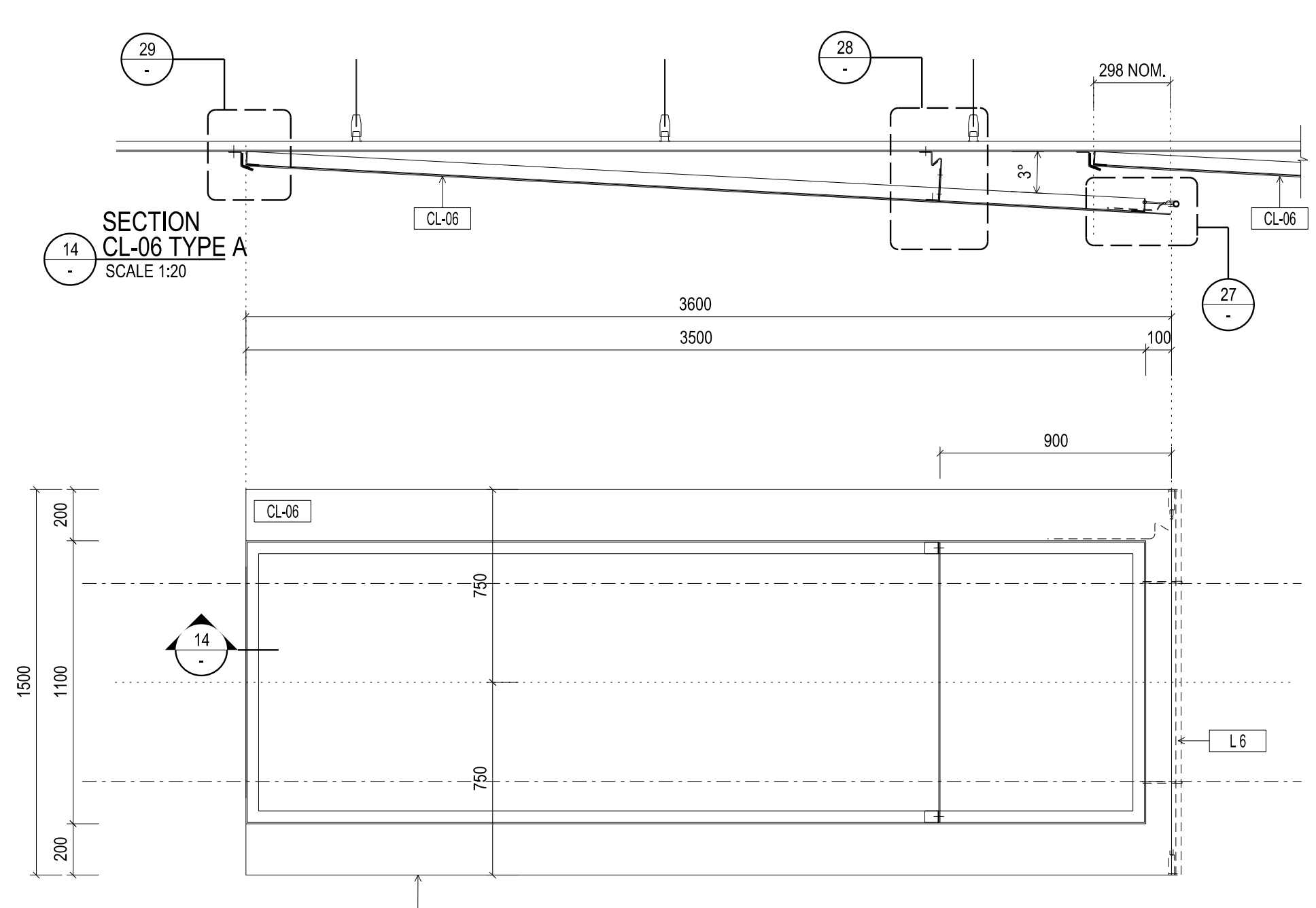


CONTRACTORS SHALL VERIFY DIMENSIONS BEFORE ANY JOB COMMENCES. ALL SHOP DRAWINGS SHALL BE SUBMITTED TO THE SUPERINTENDENT AND MANUFACTURERS SHALL NOT COMMENCE FROM THE RETURN OF DRAWINGS UNLESS APPROVED BY THE CONSULTANT. DIMENSIONS SHALL TAKE PRECEDENCE OVER SCALES. THIS DRAWING SHALL BE READ IN CONJUNCTION WITH ALL RELEVANT CONTRACT SPECIFICATIONS AND DRAWINGS COPYRIGHT OF THIS DRAWING IS VESTED IN WARDLE

General Notes



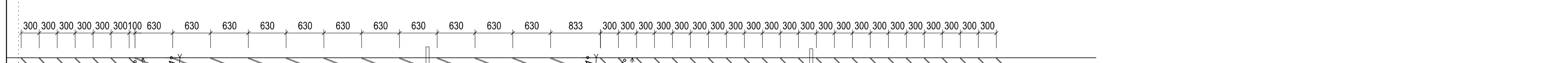
4MM DIBOND PANEL
 *WHITE MIRROR GLOSS POWDERCOAT FINISH BOTH SIDES
 *STRUCTURAL ADHESIVE TAPE-BONDED TO 50X50 ALU EA LADDER FRAME
 *CUSTOM HOOK-FIXING TO RIBBON CEILING FRAME
 *LADDER FRAME AND SUSPENSION ELEMENTS TO BE MATCHING WHITE POWDERCOAT FINISH
 *PROVIDE WATERJET CUT PENETRATIONS AS REQUIRED FOR SERVICES FIT-OUT

PLAN CL-06 TYPE B
 SCALE 1:20

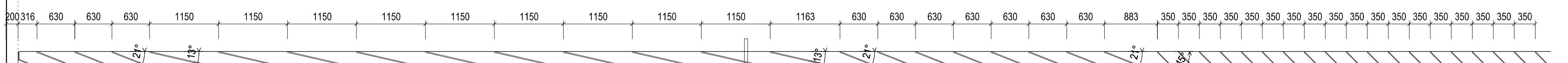
PLAN CL-06 TYPE C
 SCALE 1:20

PLAN CL-06 TYPE D
 SCALE 1:20

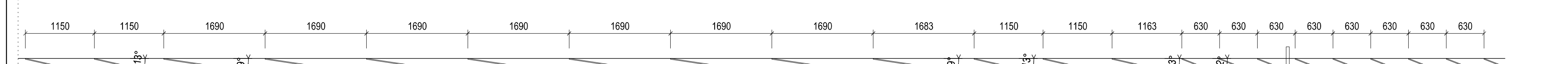
01 SECTION - ROW 1
 SCALE 1:50



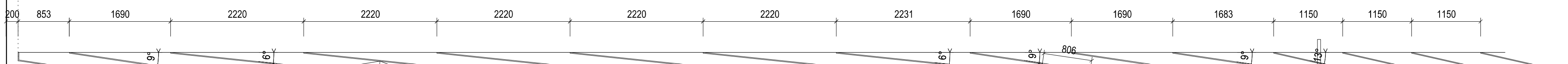
02 SECTION - ROW 2
 SCALE 1:50



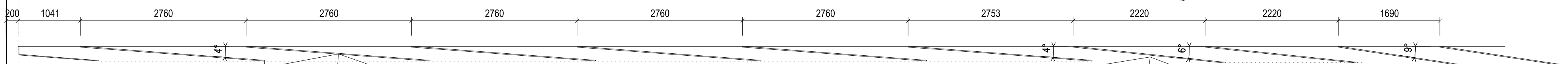
03 SECTION - ROW 3
 SCALE 1:50



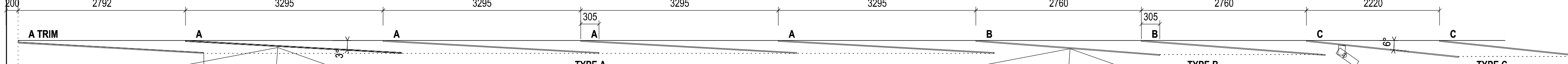
04 SECTION - ROW 4
 SCALE 1:50



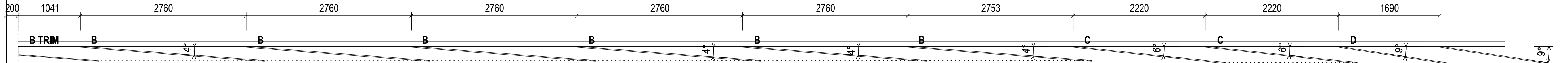
05 SECTION - ROW 5
 SCALE 1:50



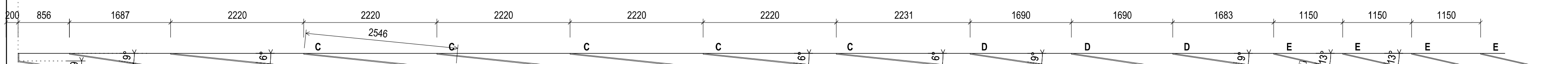
06 SECTION - ROW 6
 SCALE 1:50



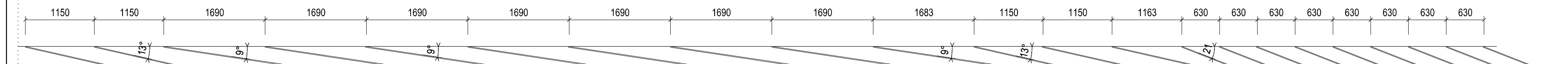
07 SECTION - ROW 7
 SCALE 1:50



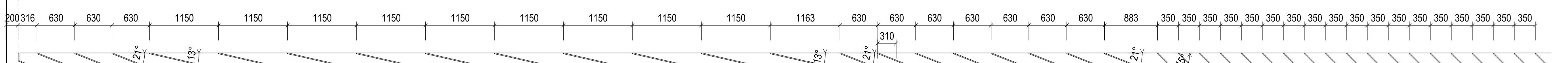
08 SECTION - ROW 8
 SCALE 1:50



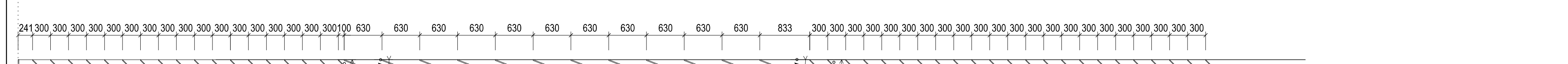
09 SECTION - ROW 9
 SCALE 1:50



10 SECTION - ROW 10
 SCALE 1:50



11 SECTION - ROW 11
 SCALE 1:50

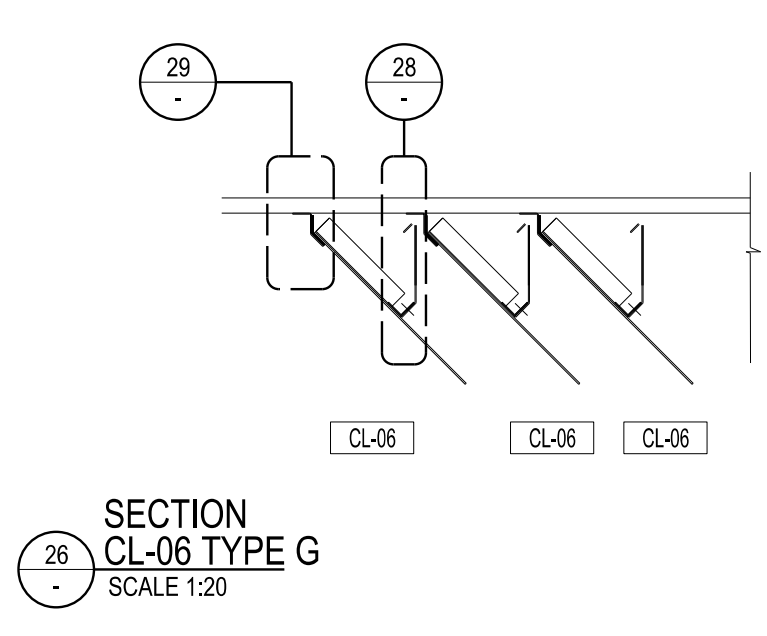
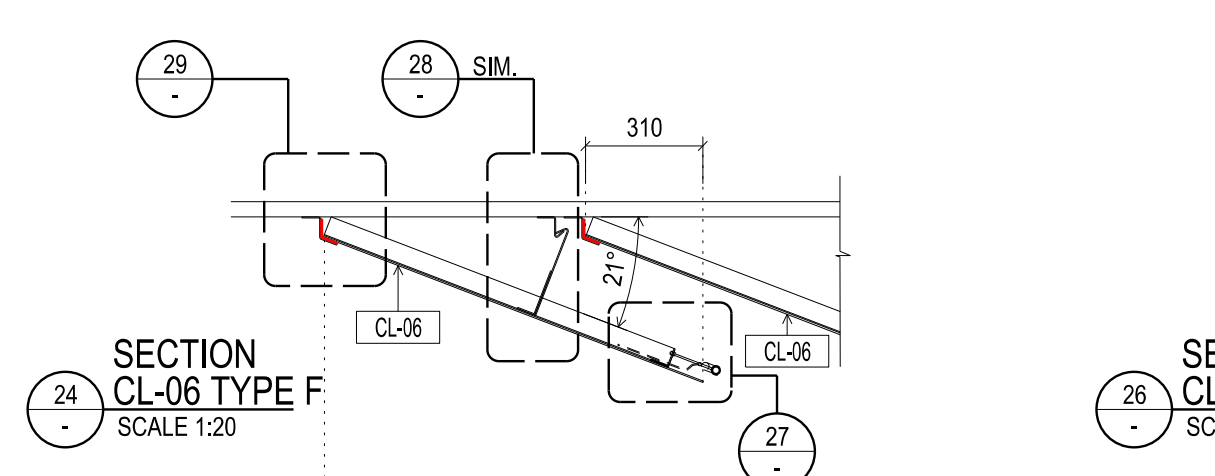
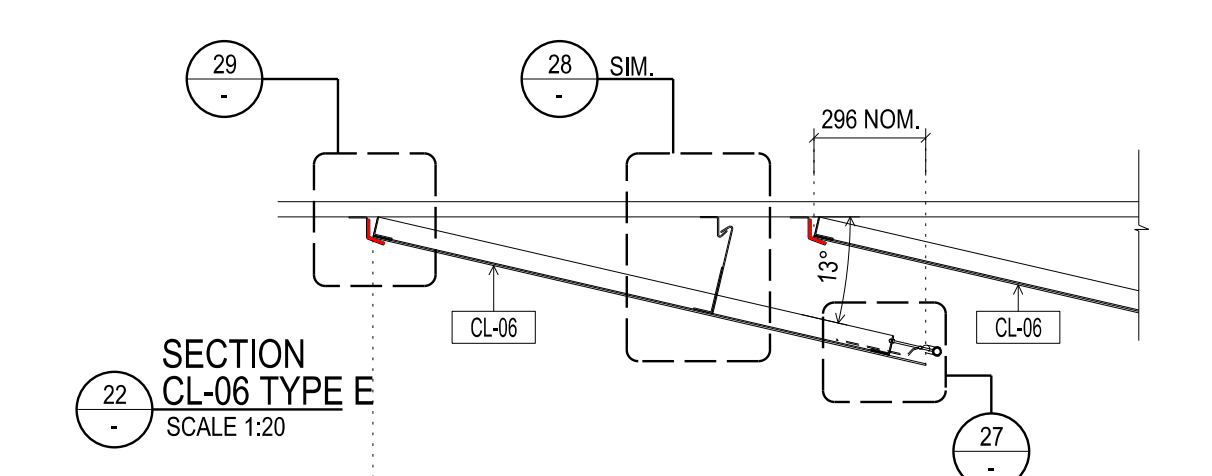


12 SECTION - ROW 12
 SCALE 1:50



NOTE: TYPE 'G' AND TYPE 'A' PANELS TO BE PROTOTYPED TO ENSURE STRUCTURAL INTEGRITY AND CANTILEVER PANEL RIGIDITY. PRIOR TO CONSTRUCTION.
 PANELS MUST NOT SAG

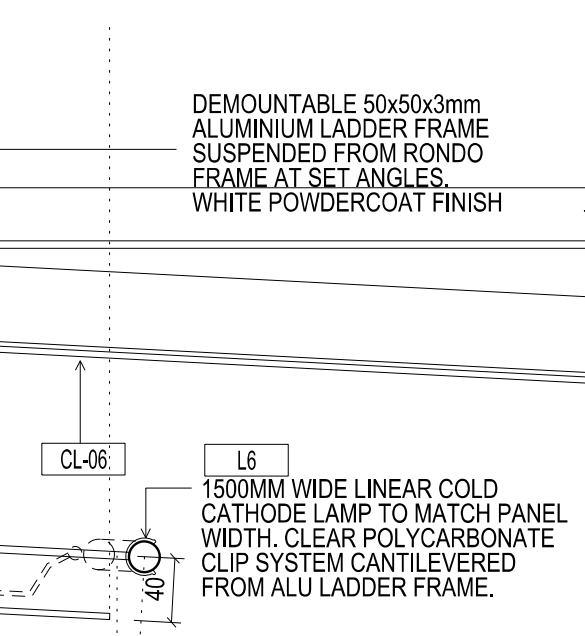
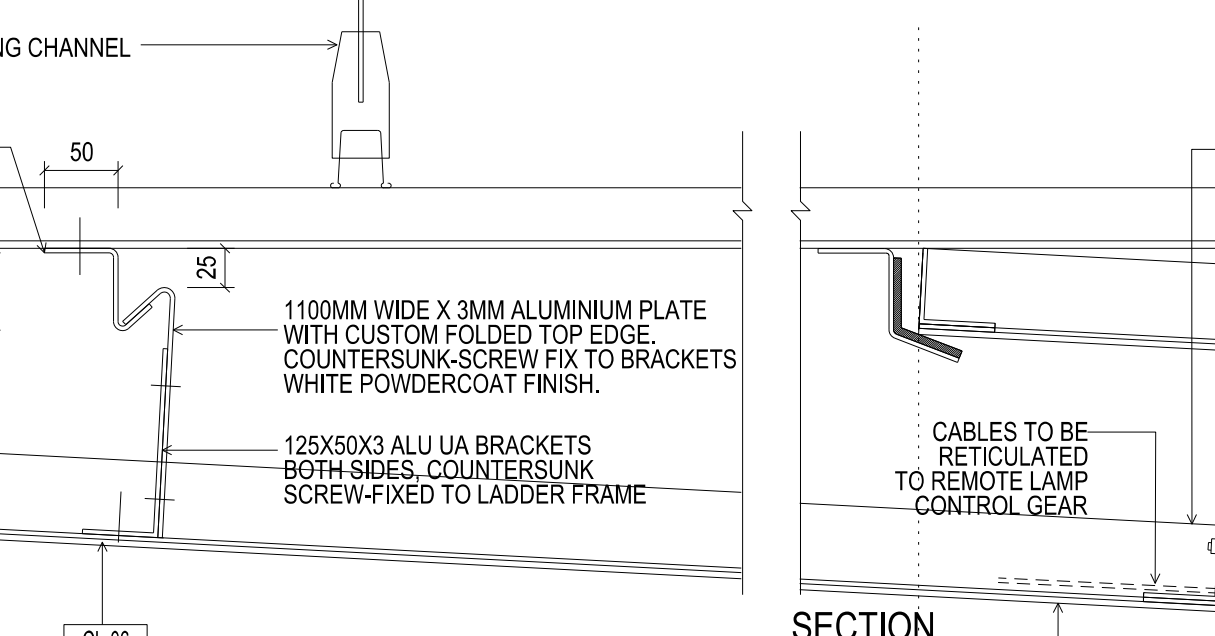
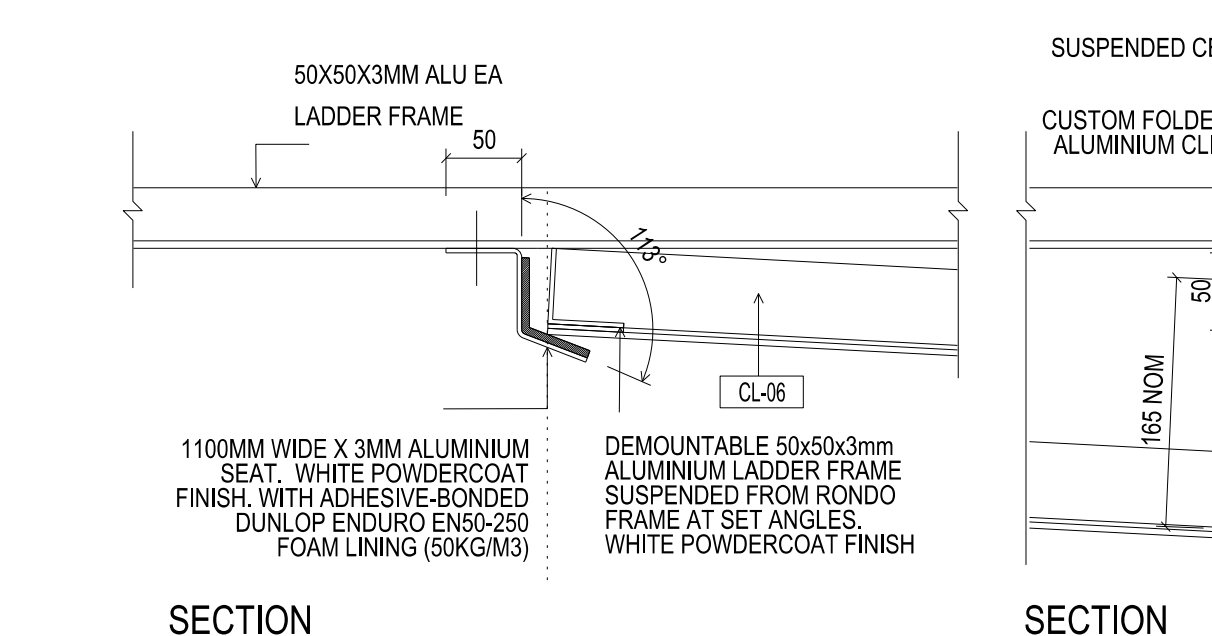
AUDITORIUM 01
 CEILING PANEL SET OUT DIAGRAM
 SCALE 1:50



PLAN CL-06 TYPE E
 SCALE 1:20

PLAN CL-06 TYPE F
 SCALE 1:20

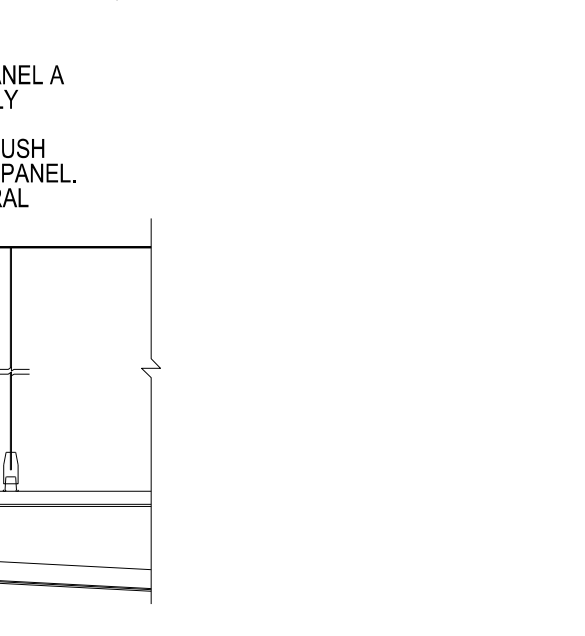
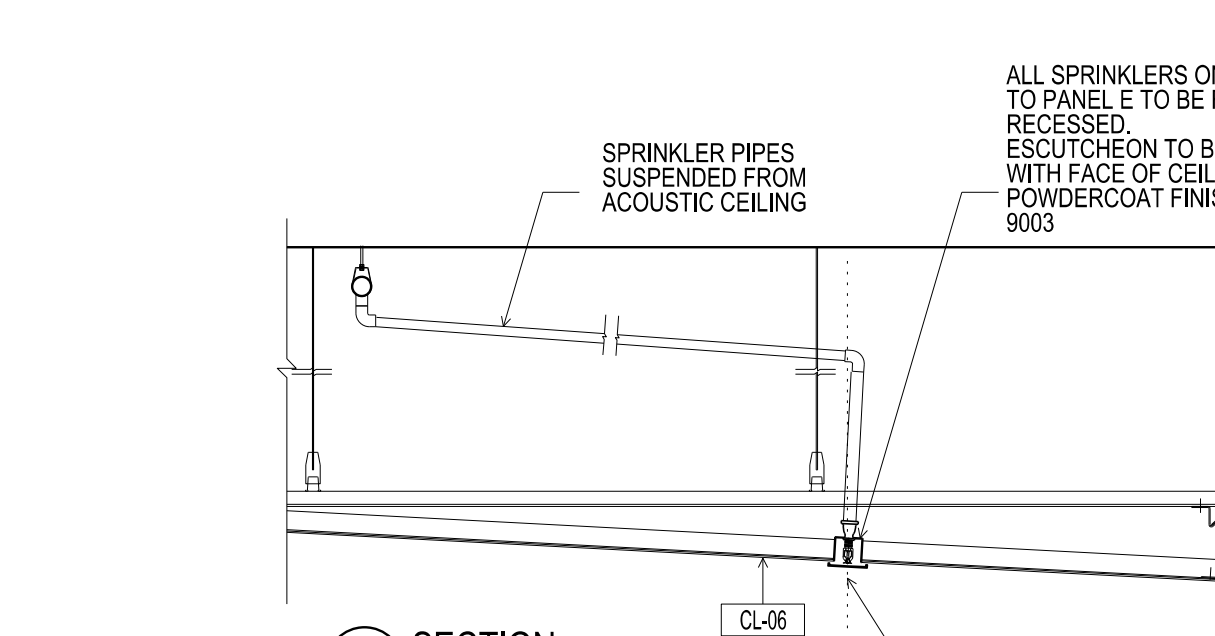
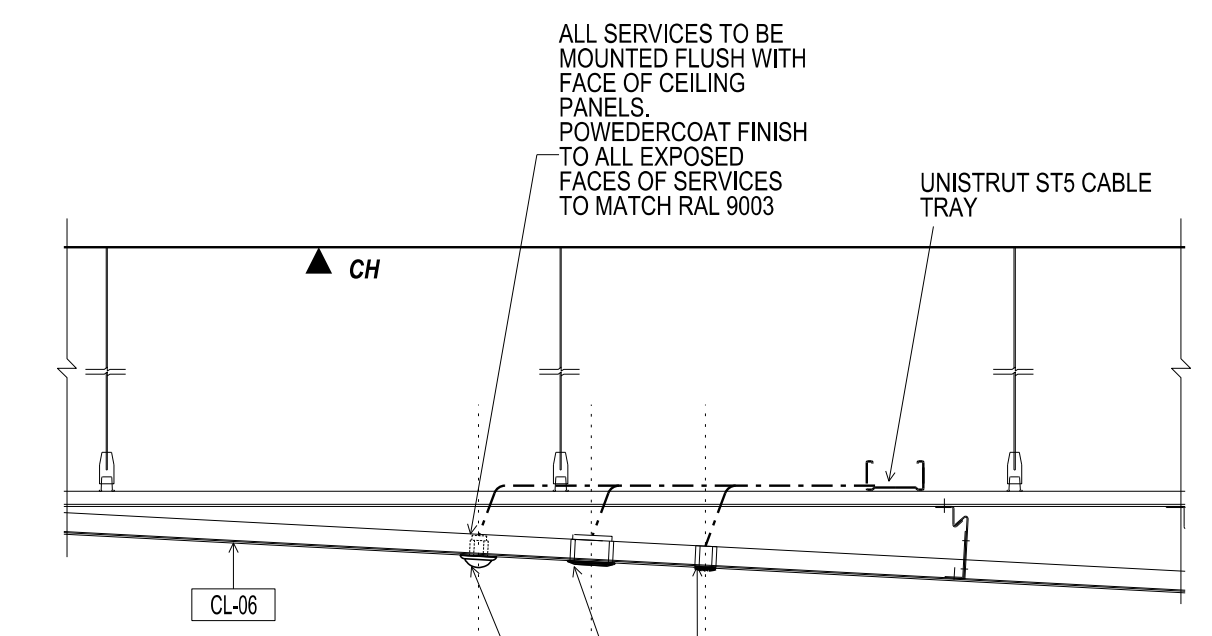
PLAN CL-06 TYPE G
 SCALE 1:20



SECTION CL-06 TYPICAL
 SCALE 1:50

SECTION CL-06 TYPICAL
 SCALE 1:50

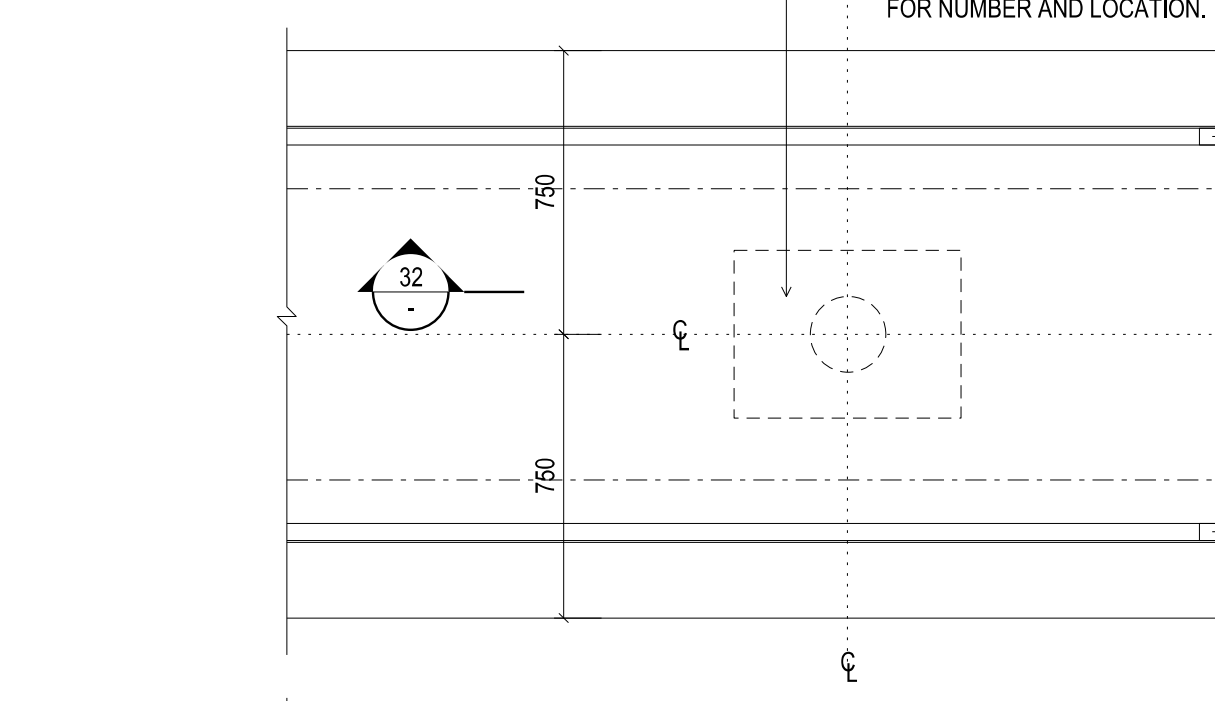
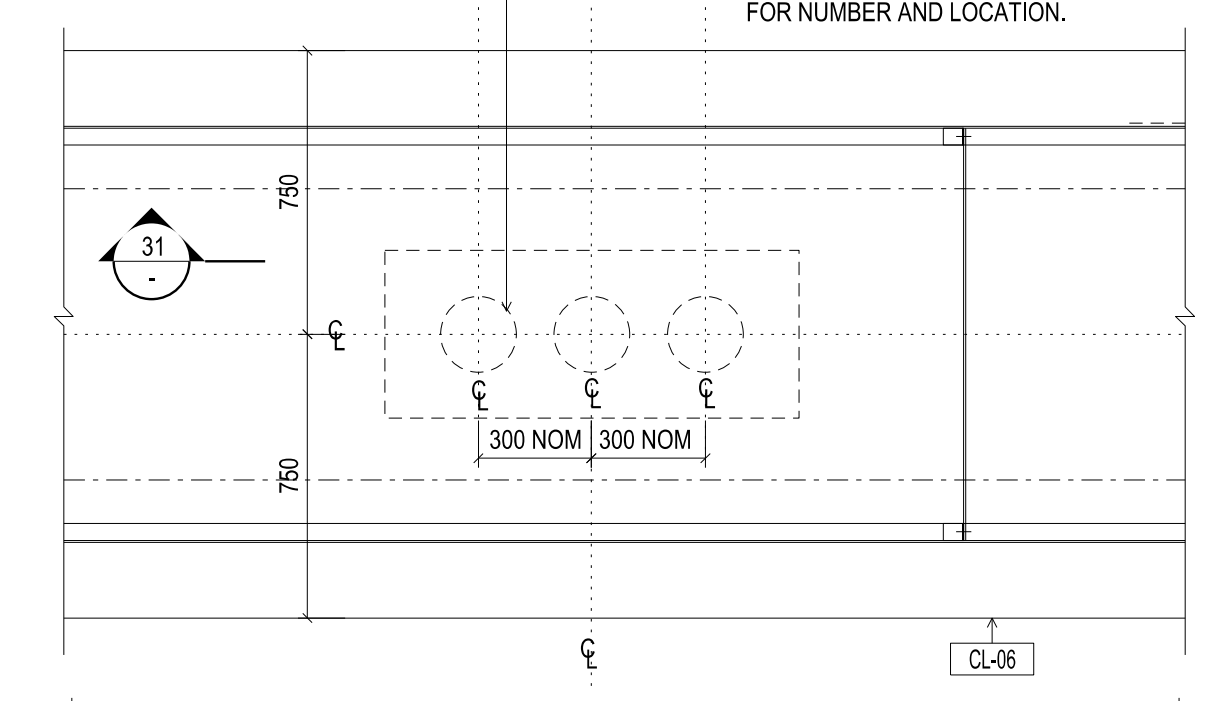
SECTION CL-06 TYPICAL
 SCALE 1:50



SECTION CL-06 TYPICAL SERVICES SET OUT
 SCALE 1:20

SECTION CL-06 TYPICAL FIRE SERVICES SET OUT
 SCALE 1:20

SECTION CL-06 TYPICAL FIRE SERVICES SET OUT
 SCALE 1:20



PLAN CL-06 TYPICAL SERVICES SET OUT
 SCALE 1:20

PLAN CL-06 TYPICAL FIRE SERVICES SET OUT
 SCALE 1:20

Rev	Issue	Revision Description	And	Date
A	SG	ISSUED FOR CONSTRUCTION	-	10.01.14
01	SG	100% CO - TENDER ISSUE	-	07.29.12



NADAAA
 NADAAA
 1520 Washington Street No.2 Boston Massachusetts 02118 USA
 Telephone +1 617 442 8232 Facsimile +1 688 442 1417 Email nadaaa@nadaaa.com

John Wardle Architects
 25 Rokeby Street, Collingwood, Victoria 3066 Australia
 Tel: +61 3 8662 0400 www.johnwardlearchitects.com
 © 2012 John Wardle Architects ABN 83 006 814 268

Client	University of Melbourne Parkville Campus		
Project	Faculty of Architecture Building and Planning		
Title	CEILING DETAILS LEVEL B01 AUDITORIUM 01		
Project No.	0913	Scale	1:50 @ A0
Drawing No.	AR5703	Revision	A
Date	May 2011	Drawn	Co-Ord
FILENAME - \$FILES		Check	

FOR CONSTRUCTION